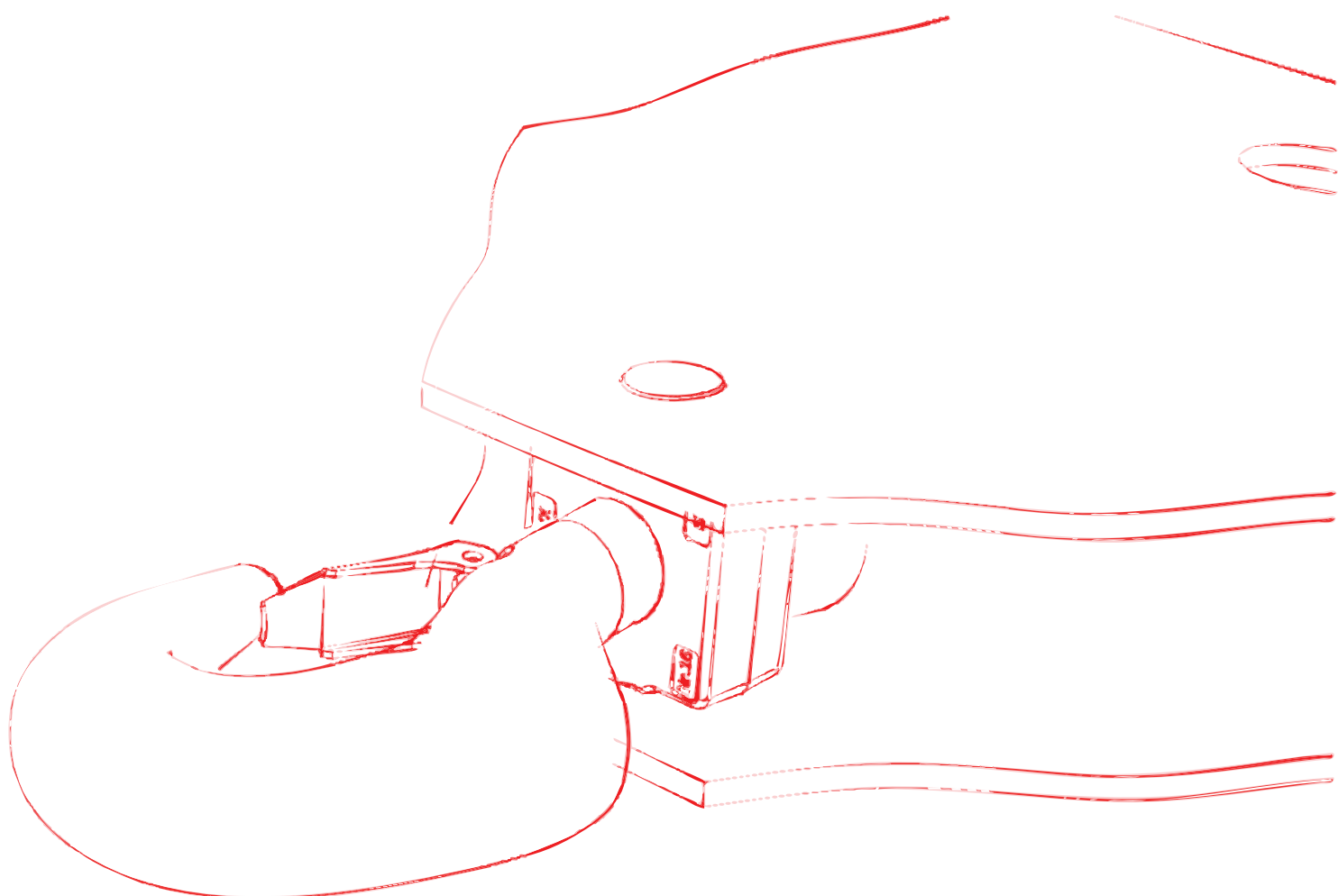


Technical Information System component WOLFF Cross Frame



Original operating manual

German

English



Published by

WOLFFKRAN GmbH

Austraße 72

74076 Heilbronn

Germany

Phone +49 7131 9815 0

Fax +49 7131 9815 355

www.wolffkran.com

info@wolffkran.de

Copyright

This documentation including all of its subsections is protected by copyright laws.

Any type of use or modification outside of the stringent limits of the copyright laws without permission of WOLFFKRAN GmbH is prohibited and subject to penalties.

This applies particularly for copying, translation, microfilming and storage and processing in electronic systems.

At the time of printing, the information, data, illustrations and notes comprised in this manual were up-to-date.

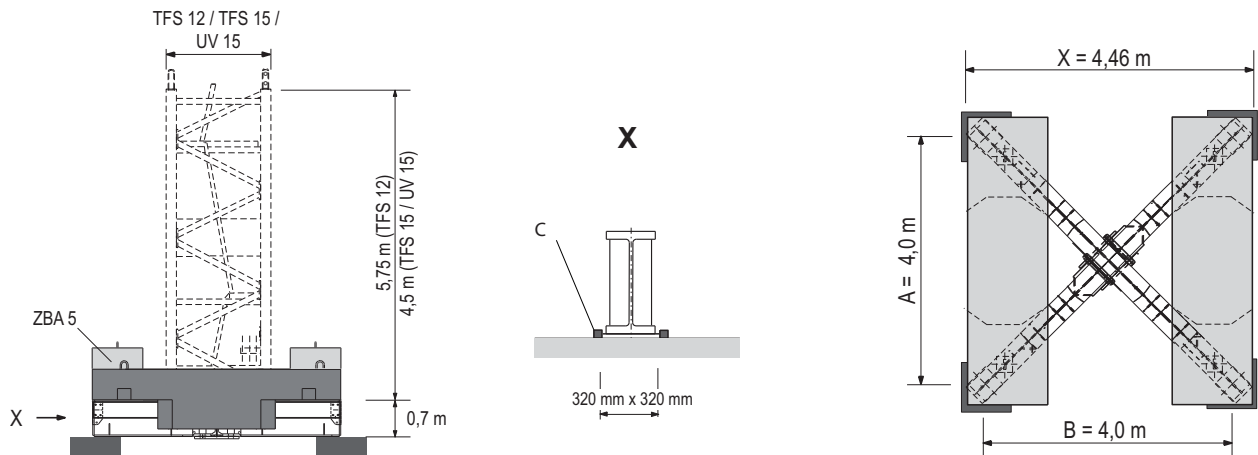
Subject to change of design, error and typos.

Table of contents

1 Cross frame KR 6-40	1 / 1
2 Cross frame KR 8-46	2 / 1
3 Cross frame KR 7-32	3 / 1
4 Cross frame KRV 7-32	4 / 1
5 Cross frame KRV 7-32/46	5 / 1
6 Cross frame KR 10-46	6 / 1
7 Cross frame KR 10-46/60	7 / 1
8 Cross frame KRV 10-50	8 / 1
9 Cross frame KRV 10-60	9 / 1
10 Cross frame KR 12-60	10 / 1
11 Cross frame KR 12-60/80	11 / 1
12 Cross frame KR 16-80	12 / 1
13 Cross frame KR 16-80/100	13 / 1

This page was intentionally left blank!

1 Cross frame KR 6-40



Technical Data KR 6-40

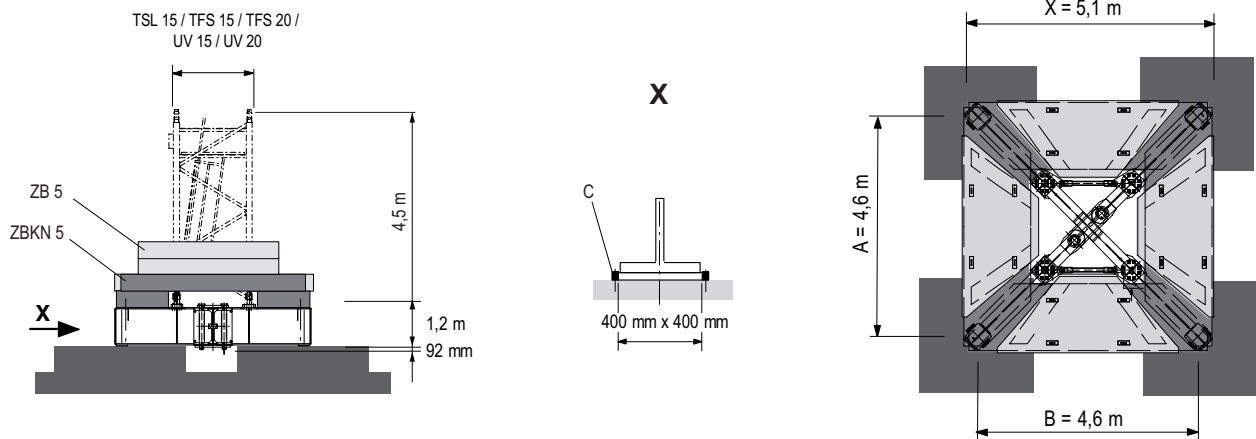
Clearance between "A" corners	4.0 m
Clearance between "B" corners	4.0 m
Outside dimension X	4.46 m
Cross frame (without central ballast and bolted spigots)	2900 kg
Bolted spigots	
4 bolted spigots AZ 93.4 E15 (TFS12, TFS15)	262 kg
4 bolted spigots AZ 120 M (UV15)	314 kg
C*	20 mm
* Protection against lateral displacement.	

The cross frame represents an independent module for applications with a WOLFF slewing tower crane system.

For information pertaining to application options, refer to the manual of the corresponding WOLFF slewing tower crane (tower combination, central ballast and corner load tables).

This page was intentionally left blank!

2 Cross frame KR 8-46



Technical Data KR 8-46

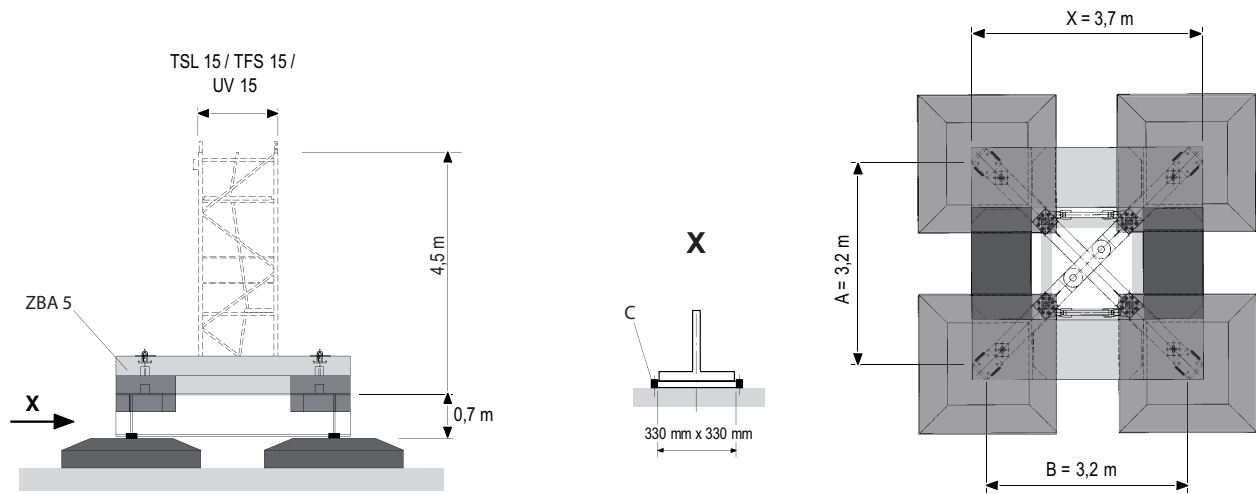
Clearance between "A" corners	4.6 m
Clearance between "B" corners	4.6 m
Outside dimension X	5.1 m
Cross frame (without central ballast and bolted spigots)	4300 kg
Bolted spigots	
4 bolted spigots AZ 85 20.5 (TSL15)	192 kg
4 bolted spigots AZ 93.4 (TFS15, TFS20)	200 kg
4 bolted spigots AZ 120 M (UV15, UV20)	272 kg
C*	20 mm
* Protection against lateral displacement.	

The cross frame represents an independent module for applications with a WOLFF slewing tower crane system.

For information pertaining to application options, refer to the manual of the corresponding WOLFF slewing tower crane (tower combination, central ballast and corner load tables).

This page was intentionally left blank!

3 Cross frame KR 7-32



Technical Data KR 7-32

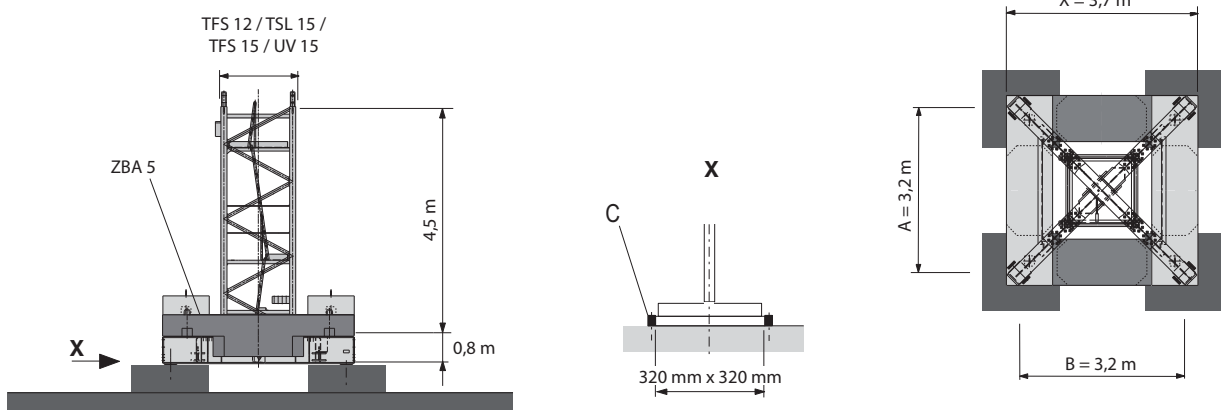
Clearance between "A" corners	3.2 m
Clearance between "B" corners	3.2 m
Outside dimension X	3.7 m
Cross frame (without central ballast and bolted spigots)	5090 kg
Bolted spigots	
4 x AZ 85 E 20.5 (TSL15)	192 kg
4 x AZ 93.4 E15 (TFS15)	200 kg
4 x AZ 120 M (UV15)	272 kg
C*	20 mm
* Protection against lateral displacement.	

The cross frame represents an independent module for applications with a WOLFF slewing tower crane system.

For information pertaining to application options, refer to the manual of the corresponding WOLFF slewing tower crane (tower combination, central ballast and corner load tables).

This page was intentionally left blank!

4 Cross frame KRV 7-32



Technical Data KRV 7-32

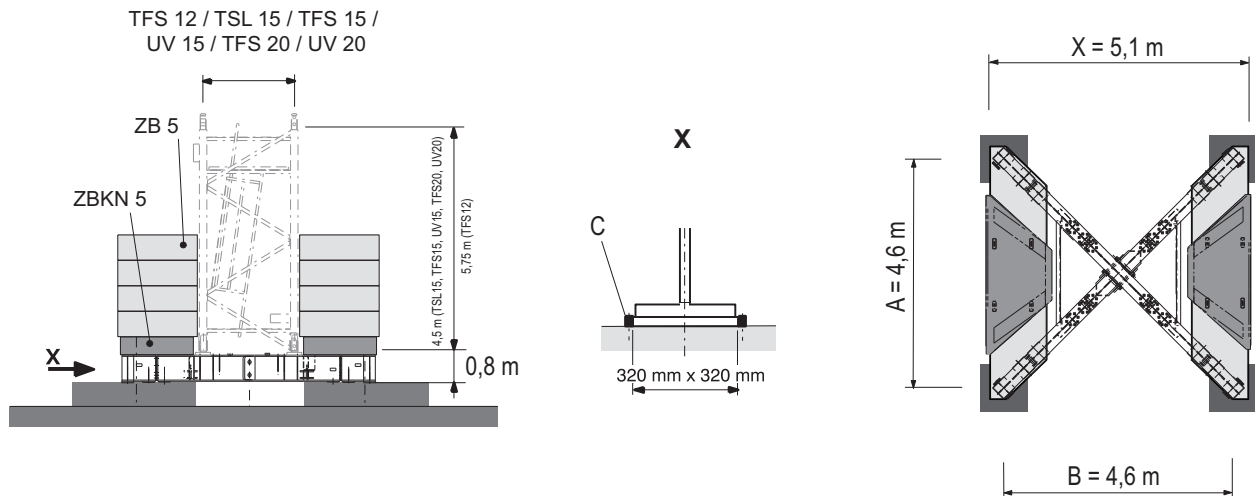
Clearance between "A" corners	3.2 m
Clearance between "B" corners	3.2 m
Outside dimension X	3.7 m
Cross frame (without central ballast and bolted spigots)	3660 kg
Bolted spigots	
4 x AZ 85 E 20.5 (TFS12, TSL15)	232 kg
4 x AZ 93.4 E15 (TFS15)	262 kg
4 x AZ 120 M (UV15, TFS20, UV20)	314 kg
C*	20 mm
* Protection against lateral displacement.	

The cross frame represents an independent module for applications with a WOLFF slewing tower crane system.

For information pertaining to application options, refer to the manual of the corresponding WOLFF slewing tower crane (tower combination, central ballast and corner load tables).

This page was intentionally left blank!

5 Cross frame KRV 7-32/46



Technical data KR 7-32/46

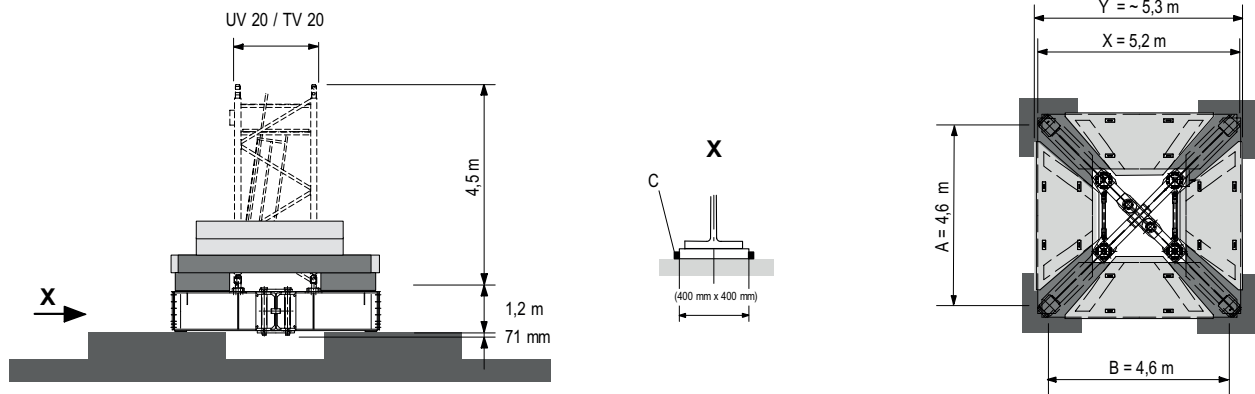
Clearance between "A" corners	4.6 m
Clearance between "B" corners	4.6 m
Outside dimension X	5.1 m
Cross frame (without central ballast and bolted spigots)	5090 kg
Bolted spigots	
4 x AZ 85 E 20.5 (TFS12, TSL15)	232 kg
4 x AZ 93.4 E 15 (TFS15)	262 kg
4 x AZ 120 M (UV15, TFS20, UV20)	314 kg
C*	20 mm
* Protection against lateral displacement.	

The cross frame represents an independent module for applications with a WOLFF slewing tower crane system.

For information pertaining to application options, refer to the manual of the corresponding WOLFF slewing tower crane (tower combination, central ballast and corner load tables).

This page was intentionally left blank!

6 Cross frame KR 10-46



Technical data KR 10-46 (4.6 m x 4.6 m)

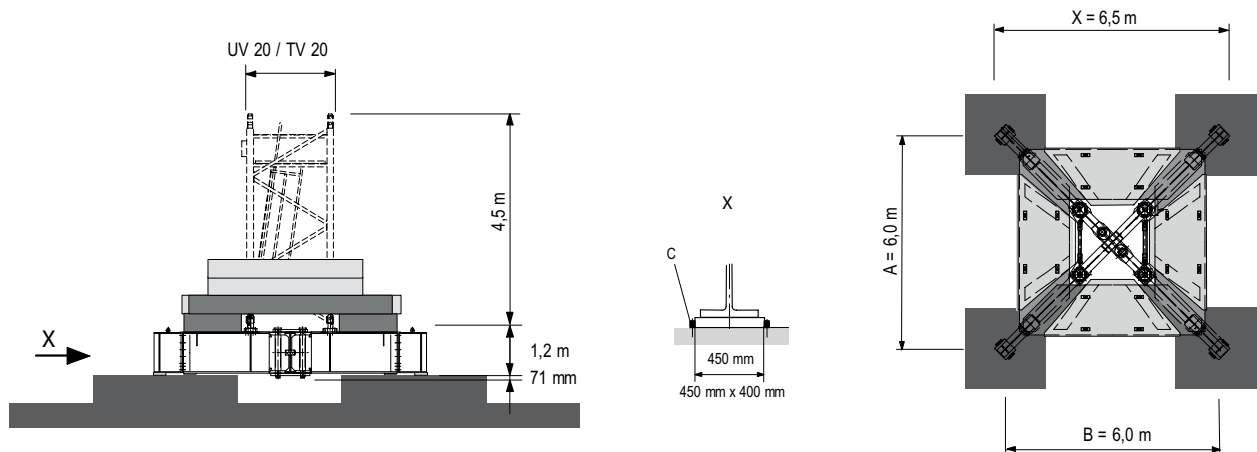
Clearance between "A" corners	4.6 m
Clearance between "B" corners	4.6 m
Outside dimension X	5.2 m
Outside dimensions Y (Outside dimensions with mounted central ballast)	~5.3 m
Cross frame (without central ballast and bolted spigots)	7000 kg
Bolted spigots	
4 x AZR 120 E 15.5 (UV20)	560 kg
4 x AZ 140 M (TV20)	684 kg
C*	approx. 20 mm
* Protection against lateral displacement.	

The cross frame represents an independent module for applications with a WOLFF slewing tower crane system.

For information pertaining to application options, refer to the manual of the corresponding WOLFF slewing tower crane (tower combination, central ballast and corner load tables).

This page was intentionally left blank!

7 Cross frame KR 10-46/60



Technical data KR 10-46/60 (6.0 m x 6.0 m)

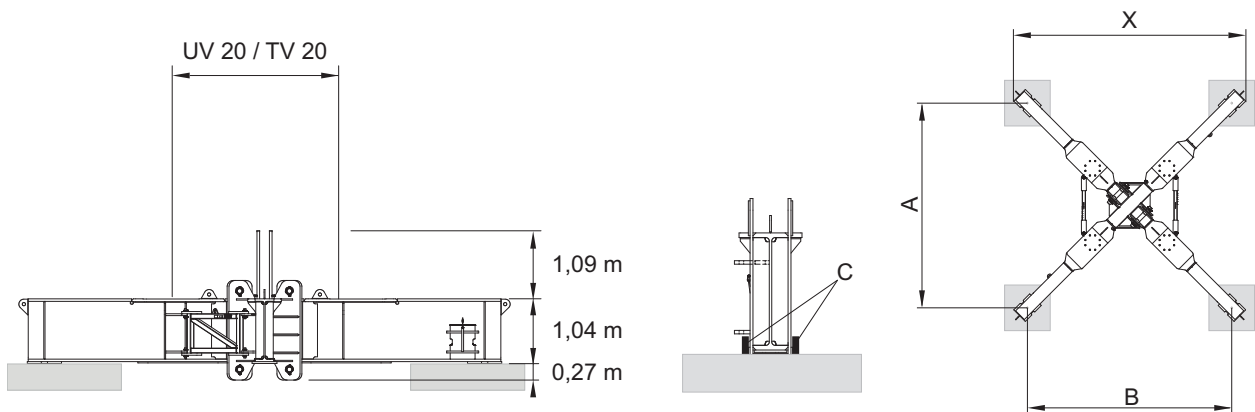
Clearance between "A" corners	6.0 m
Clearance between "B" corners	6.0 m
Outside dimension X	6.5 m
Cross frame (without central ballast and bolted spigots)	8805 kg
Bolted spigots	
4 x AZR 120 E 15.5 (UV20)	560 kg
4 x AZ 140 M (TV20)	684 kg
C*	approx. 20 mm
* Protection against lateral displacement.	

The cross frame represents an independent module for applications with a WOLFF slewing tower crane system.

For information pertaining to application options, refer to the manual of the corresponding WOLFF slewing tower crane (tower combination, central ballast and corner load tables).

This page was intentionally left blank!

8 Cross frame KRV 10-50



Technical Data KRV 10-50

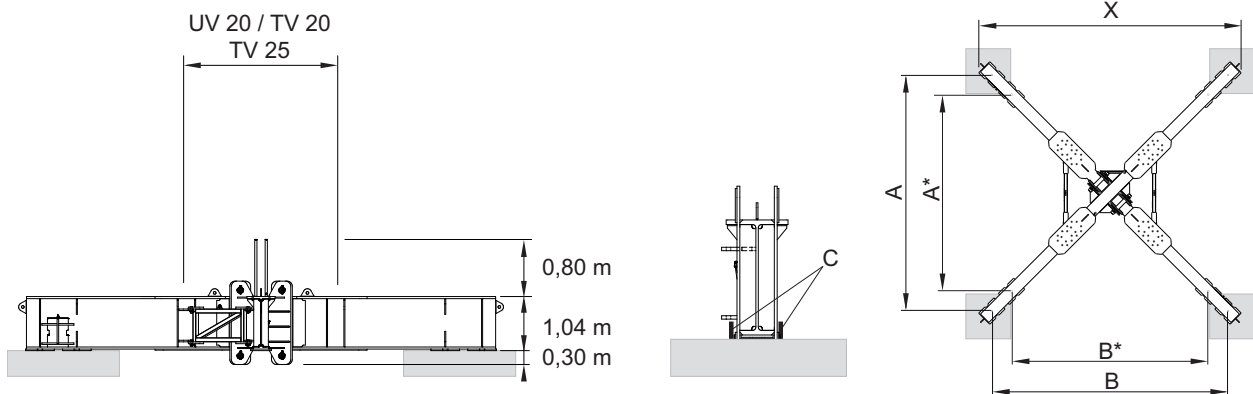
Clearance between "A" corners	5.0 m
Clearance between "B" corners	5.0 m
Outside dimension X	5.7 m
Cross frame (without central ballast and bolted spigots)	8740 kg
Bolted spigots	
4 x AZ 120 E 15.5 (UV 20) - 30053098	730 kg
4 x AZ 140 M (TV 20) - 30053099	695 kg
C	Protection against lateral displacement

The cross frame represents an independent module for applications with a WOLFF slewing tower crane system.

For information pertaining to application options, refer to the manual of the corresponding WOLFF slewing tower crane (tower combination, central ballast and corner load tables).

This page was intentionally left blank!

9 Cross frame KRV 10-60



Technical Data KRV 10-60

Corner distance A (A*)	6.0 m (5.0 m)
Corner distance B (B*)	6.0 m (5.0 m)
Outside dimension X	6.7 m
Cross frame (without central ballast and bolted spigots)	10100 kg
Bolted spigots	
4 x AZ 120 E 15.5 (UV 20)	730 kg
4 x AZ 140 M (TV 20)	790 kg
4 x AZ 140 E 10 (TV 25)	790 kg
C	Protection against lateral displacement

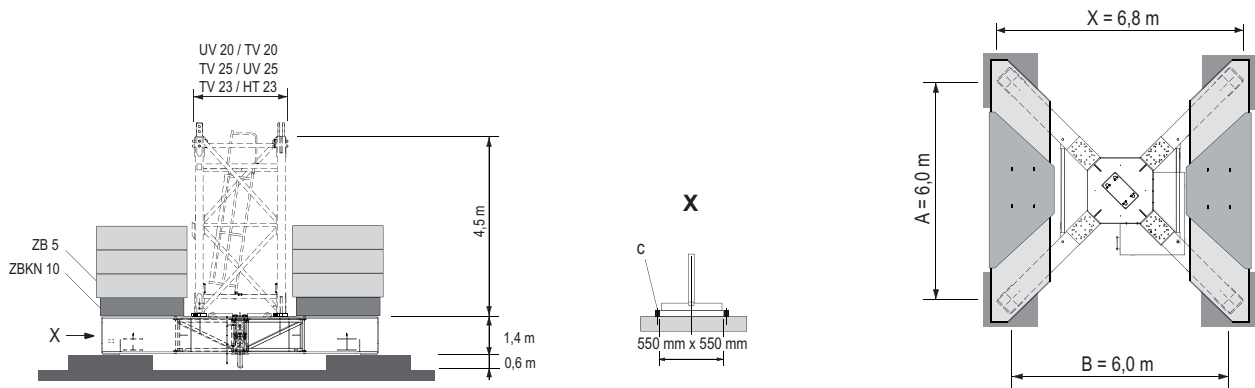
The cross frame represents an independent module for applications with a WOLFF slewing tower crane system.

For information pertaining to application options, refer to the manual of the corresponding WOLFF slewing tower crane (tower combination, central ballast block / corner load tables).

The cross frame KRV 10-60 is flexible in its setup and can be used with a corner distance of 6.0 m (A, B) or a corner distance of 5.0 m (A*, B*), depending on the requirements of the construction site.

This page was intentionally left blank!

10 Cross frame KR 12-60

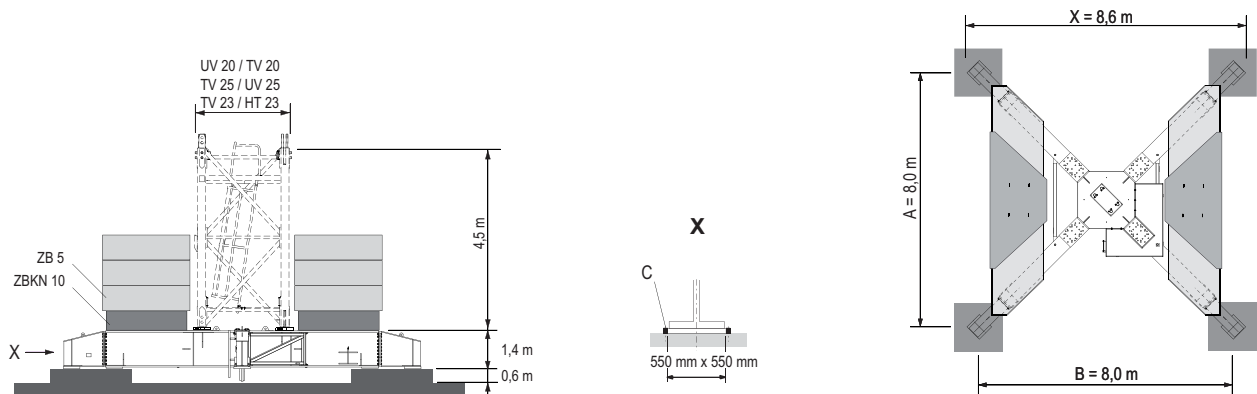


Technical Data KR 12-60

Clearance between "A" corners	6.0 m
Clearance between "B" corners	6.0 m
Outside dimension X	6.8 m
Cross frame (without central ballast and bolted spigots)	15370 kg
Set of bolted spigots	
4 x AZ 140 M (TV 20)	790 kg
4 x AZ 120 E 15.5 (UV 20)	730 kg
4 x AZ 140 E 17 (TV 23)	880 kg
4 x AZ 160 HT 23 (HT 23)	905 kg
4 x AZ 140 E 10 (TV 25)	790 kg
4 x AZ 156 M (UV 25)	840 kg
C* (without shims)	min. 20 mm
* Protection against lateral displacement.	

This page was intentionally left blank!

11 Cross frame KR 12-60/80



Technical Data KR 12-60/80

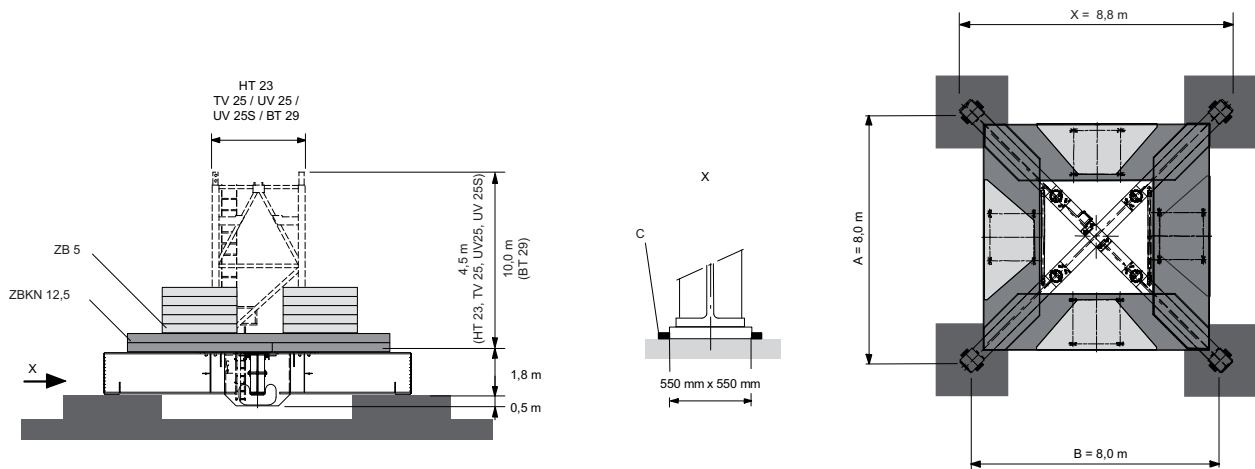
Clearance between "A" corners	8.0 m
Clearance between "B" corners	8.0 m
Outside dimension X	8.6 m
Cross frame (without central ballast and bolted spigots)	17732 kg
Set of bolted spigots	
4 x AZ 140 M (TV 20)	790 kg
4 x AZ 120 E 15.5 (UV 20)	730 kg
4 x AZ 140 E 17 (TV 23)	880 kg
4 x AZ 160 HT 23 (HT 23)	905 kg
4 x AZ 140 E 10 (TV 25)	790 kg
4 x AZ 156 M (UV 25)	840 kg
C* (without shims)	min. 20 mm
* Protection against lateral displacement.	

The cross frame represents an independent module for applications with a WOLFF slewing tower crane system.

For information pertaining to application options, refer to the manual of the corresponding WOLFF slewing tower crane (tower combination, central ballast and corner load tables).

This page was intentionally left blank!

12 Cross frame KR 16-80



Technical Data KR 16-80

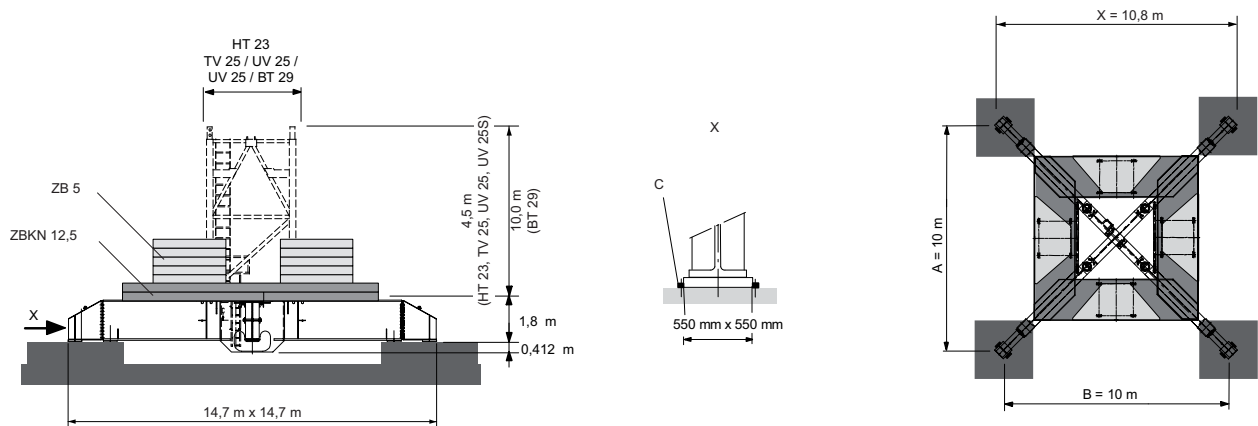
Clearance between "A" corners	8.0 m
Clearance between "B" corners	8.0 m
Outside dimension X	8.8 m
Cross frame (without central ballast and bolted spigots)	21540 kg
Bolted spigots	
4 x AZ 140 E KR 16-80 (TV25)	620 kg
4 x AZ 156 M KR 16-80 (UV25)	680 kg
4 x AZ 156S M KR 16-80 (UV25S)	675 kg
C*	40 mm
* Protection against lateral displacement.	

The cross frame represents an independent module for applications with a WOLFF slewing tower crane system.

For information pertaining to application options, refer to the manual of the corresponding WOLFF slewing tower crane (tower combination, central ballast and corner load tables).

This page was intentionally left blank!

13 Cross frame KR 16-80/100



Technical data KR 16-80/100

Clearance between "A" corners	10.0 m
Clearance between "B" corners	10.0 m
Outside dimension X	10.8 m
Cross frame (without central ballast and bolted spigots)	25400 kg
Bolted spigots	
4 bolted spigots AZ 140 E KR 16-80	620 kg
4 bolted spigots AZ 156 M KR 16-80	680 kg
4 bolted spigots AZ 156S M KR 16-80	675 kg
C*	70 mm
* Protection against lateral displacement.	

The cross frame represents an independent module for applications with a WOLFF slewing tower crane system.

For information pertaining to application options, refer to the manual of the corresponding WOLFF slewing tower crane (tower combination, central ballast and corner load tables).

This page was intentionally left blank!

This page was intentionally left blank!

WOLFFKRAN Group

Headquarter international:

WOLFFKRAN AG

Hinterbergstrasse 17

CH-6330 Cham

Switzerland

Phone +41 41 766 85 00

Fax +41 41 766 85 99

info@wolffkran.com

Manufacturing:

WOLFFKRAN GmbH

Austraße 72

D-74076 Heilbronn

Germany

Phone + 49 7131 9815 0

Fax + 49 7131 9815 355

info@wolffkran.de

WOLFFKRAN Werk Brandenburg GmbH

Frederik-Ipsen-Straße 5

D-15926 Luckau OT Altno

Germany

Phone + 49 35456 674 0

Fax + 49 35456 674 200

info@wolffkran.de